

How to: Install Double Pane Octagon Windows

Vinyl Octagon Window New Construction Installation Instructions

New Construction application with the use of a nailing flange
 Note: window openings should always be non load-bearing

This installation guide assumes that a framework of studs (often called a buck frame or blocking) has already been properly fastened and sealed to the wall of the opening by a building professional. This type of work is commonly referred to as blocking-up an opening.

NOTE: Inspect this window while unpacking **AND BEFORE** installation to ensure its proper operating condition



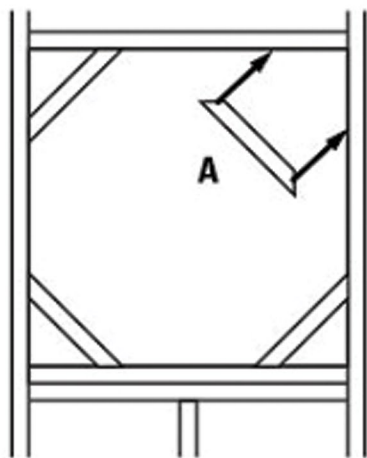
REQUIRED TOOLS

- 1/4" X 2-1/4" SCREWS FOR MASONRY INSTALLATION (not included)
- OR
- 8 X 2" SCREWS FOR WOOD BUCK INSTALLATION (not included)

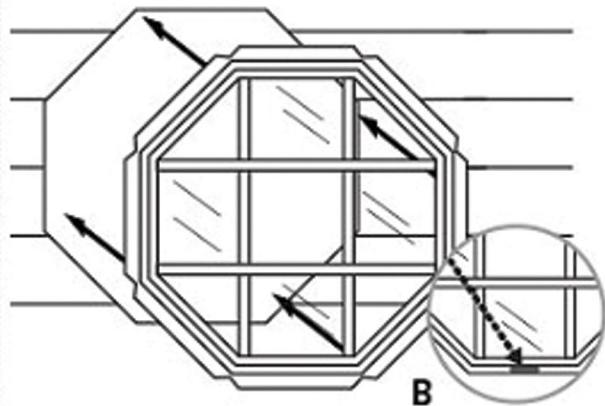
DRILL DRIVER

TAPE MEASURE

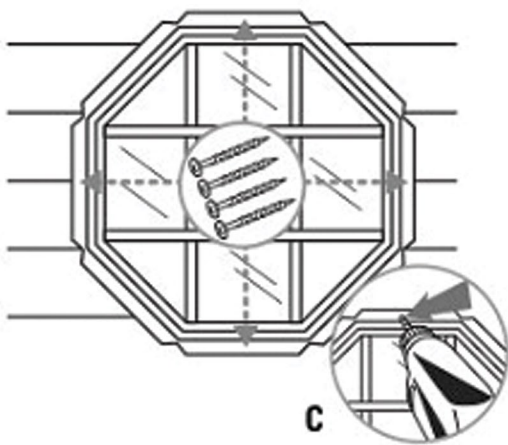
SEALANT (not included)



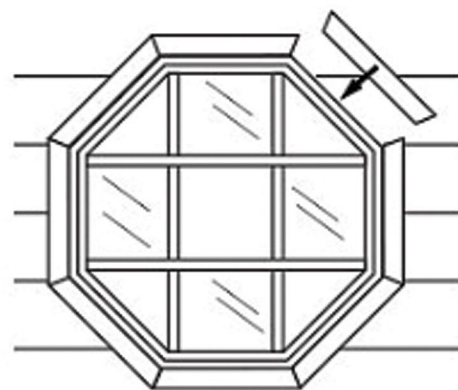
STEP 1. Prepare opening with 45 degree wood pieces at corners. Make sure you have at least 1/4" extra room over the size of your window. (Fig A)



STEP 2. Drop window into opening (Make sure weep slots are to the OUTSIDE and BOTTOM). (Fig B)



STEP 3. Secure window into opening with installation flange using pan head screws through pre-drilled holes. (Fig C)



STEP 4. Finish inside as desired